

# TG Series

## Three Phase General Type EMI Filter with Neutral

The Ohmite TG series of general purpose three phase filters is designed for use in a wide range of applications. All TG series filters contain a neutral connection point. The TG series reduces electromagnetic interference and helps in maintaining compliance with EMI emission standards.



### FEATURES

- General Purpose
- Compact
- Superior Performance
- Chassis mounting 3 Phase Filter 4 Wire

### APPLICATIONS

- CNC Machines
- Electronic Equipment
- Convertors
- Rectifier
- UPS/Inverters

### SERIES SPECIFICATIONS

Part No.	Rated current	Leakage current (mA)	Termination		Weight (kg)
	@40°C	@250VAC/50Hz	Tab	Screw	
TGA-001	1A	3	6.3 x 0.8		0.26
TGA-003	3A	3	6.3 x 0.8		0.26
TGA-006	6A	3	6.3 x 0.8		0.26
TGA-010	10A	3	6.3 x 0.8		0.26
TGA-015	15A	3		M5	0.7
TGA-016	16A	3		M5	0.7
TGA-020	20A	3		M5	0.7
TGA-025	25A	3		M5	0.7
TGA-030	30A	3		M5	0.7
TGA-040	40A	3		M5	0.7
TGA-050	50A	3		M6	1.2
TGA-060	60A	3		M6	1.2
TGA-075	75A*	3		M8	9
TGA-080	80A*	3		M8	9
TGA-100	100A*	3		M10	9
TGA-125	125A*	13.8		M10	9
TGA-150	150A*	13.8		M10	9

\*Not covered under CSA

### CHARACTERISTICS

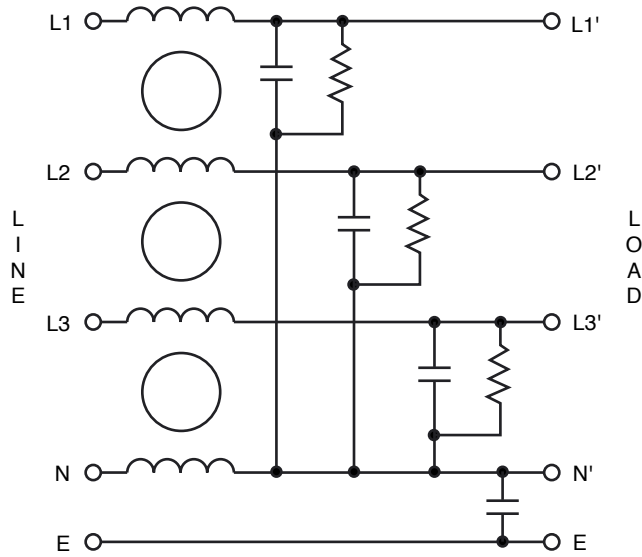
<b>Maximum Cont. Oper. Voltage</b>	440 or 520VAC
<b>Operating Frequency</b>	50/60Hz
<b>Current ratings</b>	1A to 150A @40°C
<b>High Potential test voltage</b>	L to G 2660Vdc for 1 min.; L to L 1950Vdc for 1 min.
<b>Overload Capability</b>	135% of Rated current for 15 min
<b>Design</b>	corresponding to UL60939-3, CSA 22.2 No.8-13 and IEC 60939
<b>Flammability</b>	corresponding to UL 94 V-0
<b>Temperature range</b>	-25°C to +85°C
<b>Climatic Category</b>	25/85/21
<b>Recommended Torque (Nm)</b>	M5: 2-3; M6: 3.5-4; M8: 10-14; M10: 15-17

(continued)

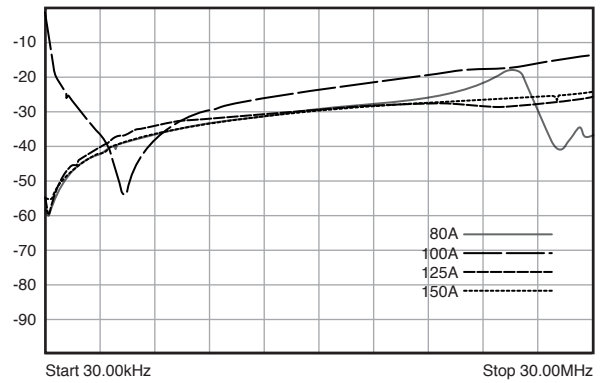
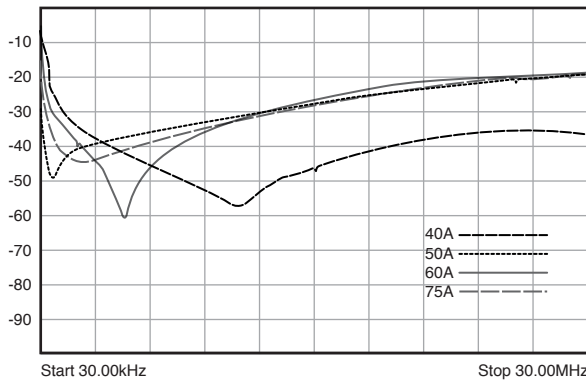
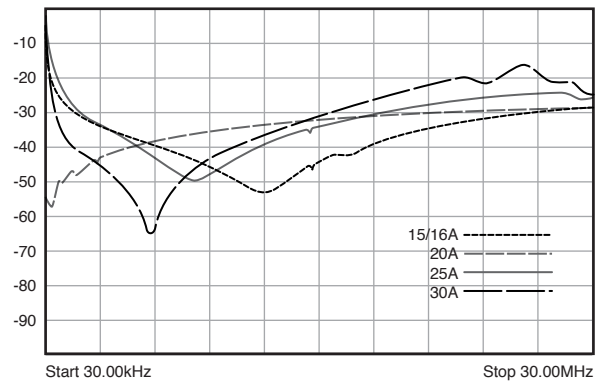
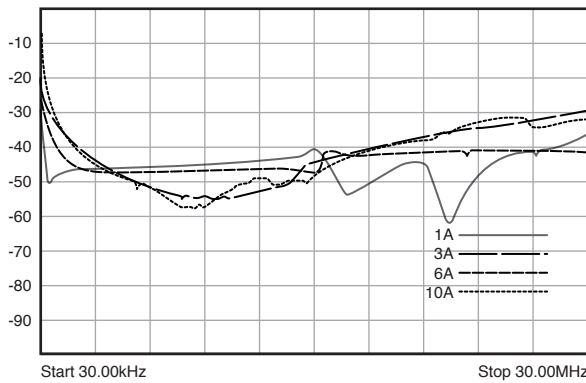
# TG Series

## Three Phase General Type EMI Filter with Neutral

### CIRCUIT DIAGRAM



### INSERTION LOSS



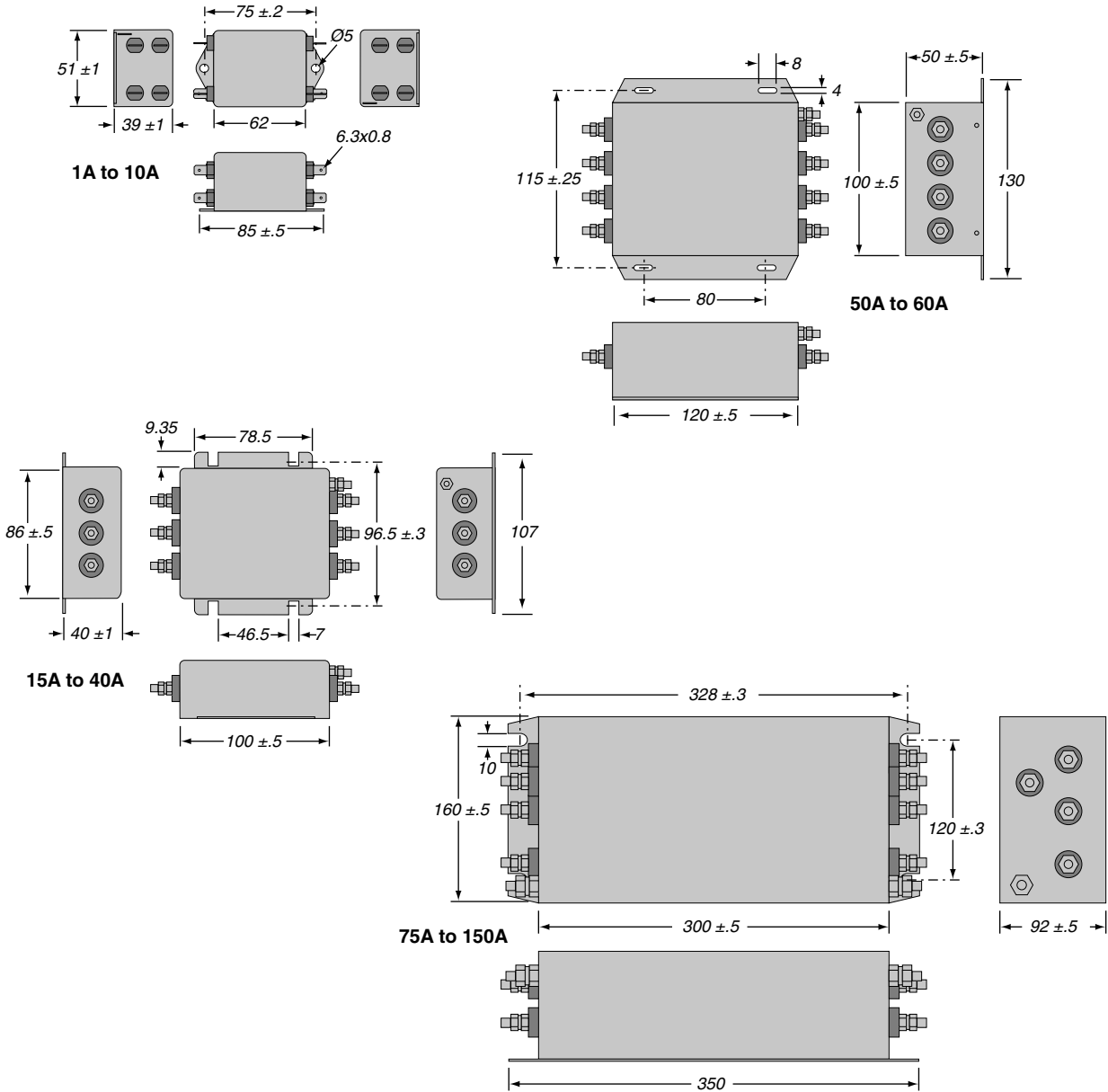
(continued)

# TG Series

## Three Phase General Type EMI Filter with Neutral

### DIMENSIONS

All dimensions in mm; Tolerances according to ISO2768-m



### ORDERING INFORMATION

**TGA-002**

Series	Voltage	Current rating
	A = 440V	
	B = 520V	

**Standard part numbers**

TGA-001	TGA-040
TGA-003	TGA-050
TGA-006	TGA-060
TGA-010	TGA-075
TGA-015	TGA-080
TGA-016	TGA-100
TGA-020	TGA-125
TGA-025	TGA-150
TGA-030	